





With WINTERSTEIGER the future belongs to you.

The spirit of sport inspires us and moves us forward. Looking forward brings us new technologies and tomorrow's victories. Cutting-edge technology, innovations and first-class service make us the ideal partner for our customers and winter sports athletes. This includes, of course, setting and testing ski bindings.

Excellent workmanship, long life and extreme reliability of our products are among a few reasons that ski shops world wide have come to rely upon WINTERSTEIGER. On the following pages we invite you to read about the products we offer as a global market leader.



Contents:	
Speedtronic Pro	4
Ski binding setting and testing device	
Drivetronic	8
Ski binding setting and testing device	
After Sales Service	12
WINTERSTEIGER SPORTS	13
WINTERSTEIGER Worldwide	15



Speedtronic Pro

The high-end unit for even more performance.

Ski binding setting and testing device.

Fast adjustment speed under 1½ minutes means less waiting time – with the Speedtronic Pro from WINTERSTEIGER you are simply faster. Featuring a color touch screen that guarantees a clear overview and well-conceived ergonomics, as well as an energy-saving clamping system which reduces adjustment time. The data interface for software systems such as Easyrent also contributes to more efficient workflows.

Last but not least, the digital documentation of the measuring data ensures legal coverage and permits paperless data storage for rental businesses.



Your benefits summed up:

- Fast adjustment speed under 1½ minutes enables more bindings to be tested, thus shortening the waiting time.
- The color touch screen display ensures a better overview and helps facilitate the work.
- Practical clamping system saves time in securing the ski.
- The automated boot set-in mechanism enables comfortable and energy-saving operation
- Data link to software systems shortens processing times
- The digital documentation of the measuring data ensures legal coverage and permits paperless data storage for rental business.



Fast, accurate, compact.

The Speedtronic Pro impresses users with a high degree of precision and speed. Further attributes are ergonomic design and ease of use. The result is increased safety on the ski slopes. Due to the compact size of the Speedtronic, it can fit anywhere.



Simply touch.

The Speedtronic Pro is operated directly by touch screen. A USB port for accessories (e.g. hand-held scanner, external printer) is located on the underside of the operating panel. The integral reading and printing module (dot matrix printer) guarantees simple handling of binding tickets.



Added convenience.

Practical clamping system saves time in securing the ski.

The automatic boot set-in mechanism enables comfortable and energy-saving operation

The two tool holders ensure that a screwdriver is always at hand and the workstation is kept tidy.



Symmetry quick test.

Without entering the customer data this feature enables the operator to quickly determine whether an old binding still functions properly. The on screen graphic result evaluation is very impressive.

Multiple connection options.

An interface for linking to software systems (e.g. Easyrent) with existing customer and storage depot data reduces handling time.

Everything digital.

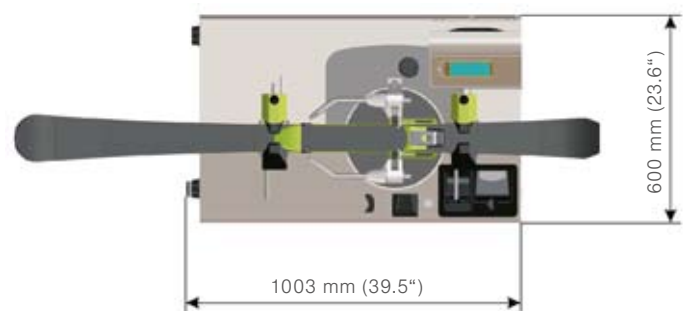
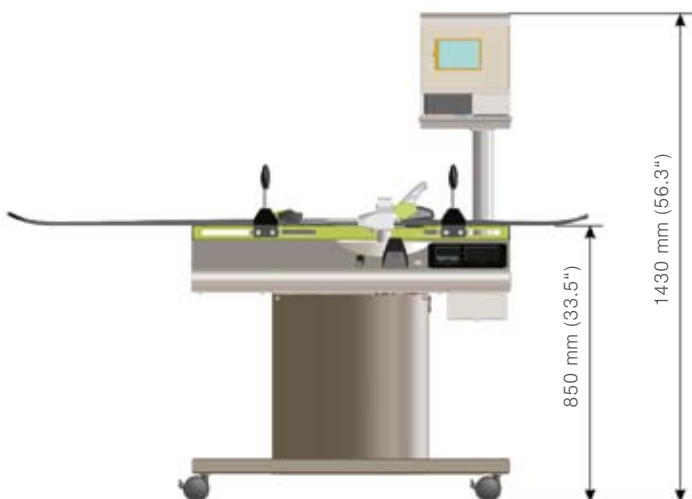
The digital documentation of the measuring data ensures legal coverage and permits paperless data storage for rental business.

Speedtronic Pro Figures. Data. Facts.

Technical specifications

Data input/output	
Input	Touch screen or printing forms
Output	Dot matrix printer, USB or external printer (option)
Scanner	Option
Interfaces	
USB interface 2.0	Software update, data backup, connection for scanner or external printer
Ethernet for Easyrent	Optional
Weight	148 kg (326 lbs)
Noise emission	< 70 dB (A)
Nominal load	0,4 kW
Nominal voltage	1 AC, 100 - 240 V, 50/60 Hz
Rated current	4 - 1,7 A
Fuse protection min./max.	10/13 A

We reserve the right to make technical alterations.





Drivetronic

An ideal solution to get started!

Ski binding setting and testing device.

WINTERSTEIGER Drivetronic is an ideal unit for shops looking to switch to an electronic testing device. Quick data input with the „WI Drive“ multifunctional wheel, clearly-arranged operating elements and large display ensure a high degree of handling comfort. The effort and time-saving clamping system ensures fast and reliable testing of the binding. The Drivetronic is the ideal device for sports dealers wishing to significantly enhance the quality of their services.



Your benefits summed up:

- The „WI Drive“ multifunctional wheel enables simple and fast data input
- Large, clearly-arranged display facilitates operation
- Easy clamping system saves time and effort in securing the ski
- Available with either built-in thermal printer, external thermal printer or stand alone dot matrix printer
- Space-saving storage
- Fast and reliable testing of the binding enhances the quality of your services



Compact technology.

The appeal of the Drivetronic lies within its compact form and optimum when purchased with the optional stand.



Simple clamping.

The easy clamping system saves time and effort in securing the ski.



Shorter process.

The simple-to-operate screen interface guarantees shorter adjustment times and fast work with all advantages for the overall adjustment process. View the needed information by turning the "WI Drive" multifunctional wheel and make a selection by simply pressing the wheel.



Black on white.

Optional printer solutions are available for standard printouts of measuring data for a wide range of management methods:

- Built-in thermal printer
- External thermal printer
- Stand alone dot matrix printer for use with WINTERSTEIGER binding tickets or custom shop forms





Everything within easy reach.

The practical tool holder ensures that the screwdriver is always at hand and the workstation is kept tidy.

Mobile and space-saving.

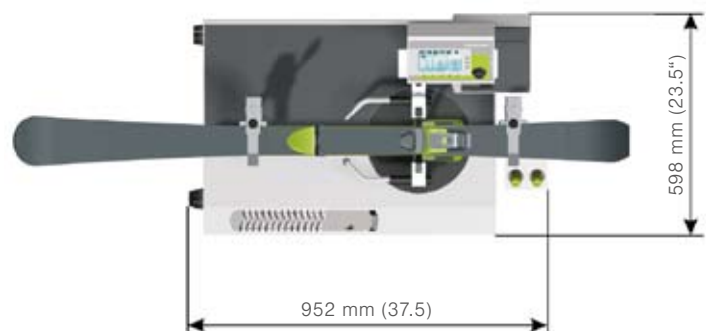
The transport handles and fold-in control panel ensure mobile flexibility and small footprint for off-season storage.

Drivetric Figures. Data. Facts.

Technical specifications

Weight	130 kg (268.6 lbs) with pedestal 106 kg (233.7 lbs) without pedestal
Noise emission	< 70 dB(A)
Nominal load	0,4 kW
Nominal voltage	1 AC, 100 - 240 V, 50/60 Hz
Rated current	4 - 1,7 A
Fuse protection min./max.	10/13 A

We reserve the right to make technical alterations.



WINTERSTEIGER complete. Customer services.

WINTERSTEIGER sees its mission not only in the manufacture of innovative products for optimum customer benefit. Our demands and expectations go far beyond that. We understand the need for an accompanying partnership process that includes a range of optional services:

From planning to implementation

WINTERSTEIGER provides complete system solutions for individual customer-specific requirements in all aspects of rental and servicing of skis and snowboards, including 3D planning, amortization and profitability analyses.

Strong customer service team

A large team of extremely well-trained service technicians takes comprehensive care of the following:

- Machine set up
- Training courses
- Service stop-bys
- Preventive maintenance
- Advice
- Modifications
- Problem solving
- Repairs
- Support
- Fast spare parts supply

Staff at the ready

On request, WINTERSTEIGER can also provide you with qualified staff for the entire ski season. Your benefits:

- No searching for skilled staff
- WINTERSTEIGER technicians with ski servicing expertise
- Calculable wage costs

Individually tailored finance packages

WINTERSTEIGER can offer you individually tailored finance packages, e.g. leasing or invoicing according to servicing demand.

Marketing Partnership

WINTERSTEIGER will support you in advertising your ski service. Together we will optimize your efficiency using professional advertising materials.



Victories are developed in the mind. And with WINTERSTEIGER.

WINTERSTEIGER is the world market leader in service and rental solutions for the entire ski and snowboard sport. Sport shops, rental stations, well known ski and snowboard producers as well as leading ski federations trust in the system solutions and first class service from WINTERSTEIGER.

WINTERSTEIGER develops innovative system solutions for the rental and service of ski and snowboards. With this we concentrate highly on and take into consideration the various needs of our customers as well as recognizing the trends early enough to allow them to be brought into the product development.

With this strategy WINTERSTEIGER has established itself as competent partner in the planning and development of service work shops and rental stations. We accompany our customers starting with the evaluation of customer needs, the planning, financing solutions, trainings, personnel leasing, professional marketing support, all the way to our reliable after-sales-service.

The product range of Division SPORTS at a glance:

- Fully automatic service stations
- Base and edge grinding machines
- Base repair and binding adjustment equipment
- Waxing machines
- Rental software
- Rental, depot and drying systems



Who is on top,
sees much further.



WINTERSTEIGER. A Global Player.

WINTERSTEIGER is the world market leader in its three divisions SPORTS, SEEDMECH and WOODTECH. Our success is based on customer proximity which we enjoy due to a globally-structured, tightly-knit sales and service network and sophisticated and future-oriented planning. In this we are guided by the following principles:

■ According to the „**Progress Principle**“ we are consistently extending our lead with targeted investments in research and development.

■ By the „**Quality and Productivity Principle**“ we mean both computer-assisted planning and design, which result directly in fully automated production processes, as well as strict quality assurance management, which ensures continuous control from design to after-sales service.

■ We meet the „**Qualification Principle**“ with optimally trained employees. Continuous professional development is an essential part of our strategy.

■ On one hand we see the „**Sustainability Principle**“ as our permanent contribution to long-term success, while on the other it represents a clear commitment to conserving natural resources.

The result:

- 16 subsidiaries
- 60 representatives worldwide
- Sales distribution in 130 countries
- 85 % export share
- World market leader in all three divisions

Division SPORTS

Total solutions for rental and servicing of skis and snowboards.



Division SEEDMECH

Total solutions for agricultural field experiments.



Division WOODTECH

Total solutions for precise thin-cutting of wood.



Headquarters located in Ried im Innkreis, Upper Austria

Success begins with the right decisions.
At the right time. We look forward to you!



WINTERSTEIGER
Thinking about tomorrow.

Headquarters:

Austria: WINTERSTEIGER AG, A-4910 Ried, Dimmelstrasse 9,
Tel.: +43 7752 919-0, Fax: +43 7752 919-52, sports@wintersteiger.at

International Companies:

Canada: WINTERSTEIGER Inc., CDN-Laval Q.C. H7L 5A1,
964 Bergar Street, Tel.: +1 450 6637800, Fax: +1 450 6632896,
monique@canada.wintersteiger.com

China: WINTERSTEIGER China Co. Ltd., 9/F New Poly Plaza,
No.1 Chaoyangmen North Ave, Dongcheng District, 100010 Beijing,
Tel.: +86 10 8419 3334, Fax: +86 10 8419 3399,
office@wintersteiger.com.cn

Germany: WINTERSTEIGER AG, Subsidiary Germany,
D-94535 Eging am See, Kollmering 10, Tel.: +49 8544 974-375,
Fax: +49 8544 974-530, sports@wintersteiger.at

France: SKID-WINTERSTEIGER S.A.S., F-73800 Ste. Hélène du Lac,
Parc d'Activités Alpespace, Tel.: +33 479 25-1160,
Fax: +33 479 25-1161, office@skid-wintersteiger.com

Italy: WINTERSTEIGER Italia s.r.l., I-39030 La Villa in Badia (BZ),
Strada Ninz, 82, Tel.: +39 0471 844 186, Fax: +39 0471 844 179,
info@wintersteiger.it

Switzerland: WINTERSTEIGER Schweiz AG, CH-6331 Hünenberg,
Rothusstrasse 5b, Tel.: +41 41 780 23 22, Fax: +41 41 780 23 90,
office@wintersteiger.ch

USA: WINTERSTEIGER Inc., 4705 Amelia Earhart Drive,
Salt Lake City, UT 84116-2876, Tel.: +1 801 355-6550,
Fax: +1 801 355-6541, mailbox@wintersteiger.com

Representations:

Argentina: FIDIA, Buenos Aires, **Australia:** Rosbert Interational PTY.LTD., Artarmon, **Benelux:** Koltec Sport Equipment, AA Dordrecht, **Bulgaria:** Infosport OOD, Sofia,
Chile: Eolia LTDA, Santiago, **Denmark:** Fun Sport, Vejle, **Finland:** Oy Hunteri AB, Turku, **Great Britain:** Anything Technical, Kendal/Cumbria, **Hungary:** Hefa Sport Ltd.,
Veszprém, **Japan:** SBA Incorporated, Tokyo, **Korea:** Himazone, Seoul, **New Zealand:** Gravity Sports Imports, Rangiora, **Norway/Sweden:** WINTERSTEIGER Norge, Son,
Poland: Ikatur, Kraków, **Romania:** Maxalpin SRL, Brasov, **Russia:** Gorimpex SARL, Moskau, **Slovakia/Czech Republic:** Snow-How, Ricany-Jazlovice, **Slovenia:** Stemax,
Ljubljana, **Spain:** Manufacturas Deportivas Viper S.A., Barcelona